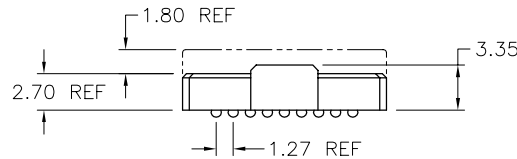
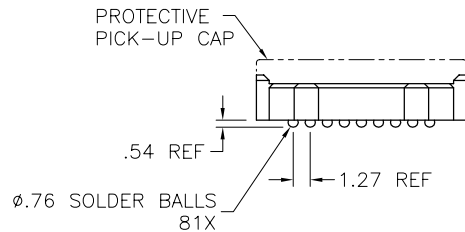
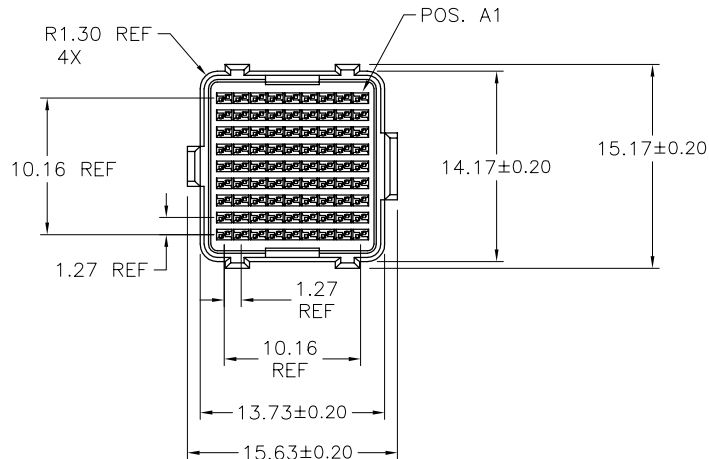


PRODUCT No.	PICK-UP CAP	CONTACT PLATING	SOLDER BALL
55715-001	YES	15u" (.38um) Au OVER Ni	SnPb
55715-001LF			SnAgCu LEAD FREE (4)(5)
55715-101	YES	30u" (.78um) Au OVER Ni	SnPb
55715-101LF			SnAgCu LEAD FREE (4)(5)
55715-201	YES	SEE NOTE 3	SnPb
55715-201LF			SnAgCu LEAD FREE (4)(5)

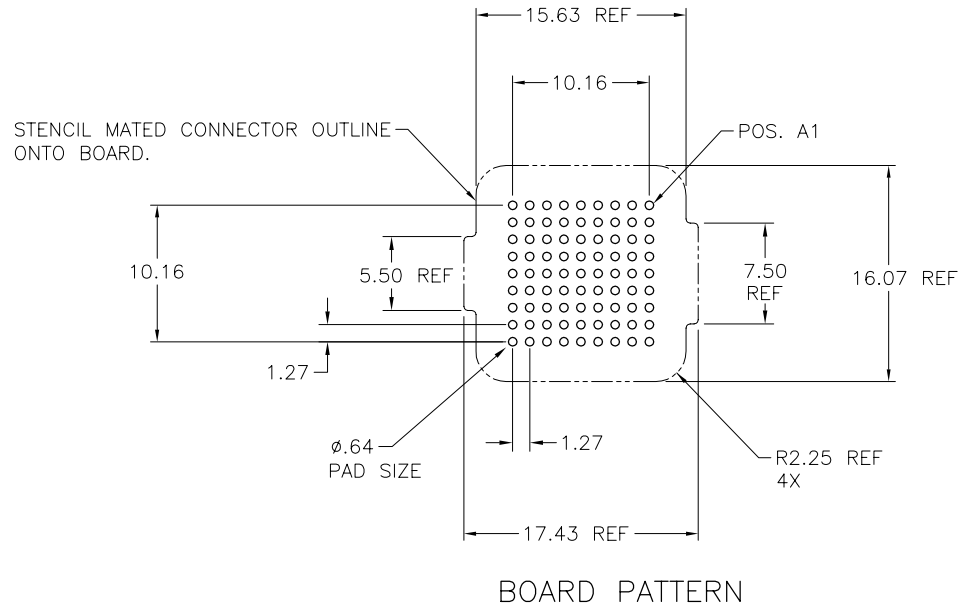
NOTES:

- MAT'L:**
HOUSING: LCP
CONTACT: COPPER ALLOY

PLATING:
CONTACT: (SEE TABLE ON SHEET1)
SOLDER BALL: (SEE TABLE ON SHEET1)
EUTECTIC SnPb OR LEAD FREE
95.5Sn/4Ag/0.5Cu
- OVERALL BOARD-TO-BOARD STACK
HEIGHT WHEN MATED TO P/N 55714
81 POSITION 0mm PLUG. IS 4.0mm REF.
- PLATING FOR -2XX SERIES DASH NOS. MEETS
THE REQUIREMENTS OF NORTEL NPS25298-2
(CENTRAL OFFICE ENVIRONMENT, 25 YEAR LIFE
EXPECTANCY).
- FOR PROPER APPLICATION FOLLOW FCI APPLICATION
SPECIFICATION GS-20-033 LEAD FREE SOLDER BALLS
WILL NOT SOLDER PROPERLY IN A LEADED SOLDER PROCESS
DUE TO A HIGHER REFLOW TEMPERATURE. LEAD FREE
PRODUCT IS THEREFORE NOT BACKWARDS COMPATIBLE WITH
LEADED OR SOME SOLDERING APPLICATIONS. REFERENCE
FCI APPLICATION SPECIFICATION
- THIS PRODUCT MEETS EUROPEAN UNION DIRECTIVES AND
OTHER COUNTRY REGULATIONS AS DESCRIBED IN GS-22-008
PRODUCT MEETING THIS DIRECTIVE IS IDENTIFIED IN THE LOT
CODE NUMBER MARKED ON EACH PART BY HAVING AN "X"
IN THE SEVENTH CHARACTER POSITION



mat'l. code		surface		tolerance		projection		product family	
-		ASME Y14.5 ✓		ASME Y14.5				MEG-Array	
ltr	ec'n no	dr	date	tolerances unless otherwise specified					
A	v20800	DRW	4-24-02	angles	XX *3			title	
B	v20949	DAI	8-15-01	flat	XX *10	MM		4mm RECEPTACLE ASSY.	
C	v03-0678	DAI	06/18/03	0° ±2'	XXX *050	scale 1:1		9X9 = 81 POSITION	
D	v04-0940	VS	10/13/04	dr	D.WAUGHEN	4-0-01			dwg no
E	v06-0560	LP	2006/06/22	engr	J.KONTOS	4-9-01	sheet 1 of 3		size
				chr	J.KONTOS	4-9-01	55715		A4
				appd	J.KONTOS	4-9-01	type		CUSTOMER Drawing
sheet	revision	E	E	E					
index	sheet	1	2	3					



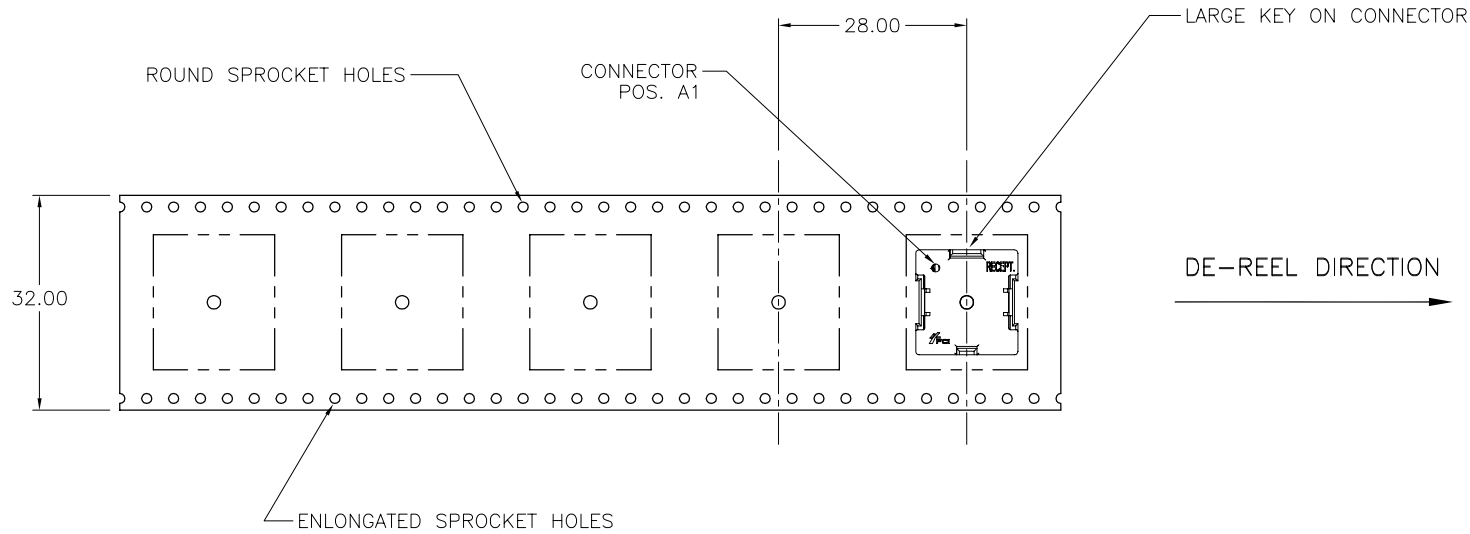
A

A

B

B

mat'l. code		-		surface		ASME Y14.5 ✓		tolerance		ASME Y14.5		projection		product family		MEG-Array	
ltr	ecr no	dr	date	tolerances unless otherwise specified								title		4mm RECEPTACLE ASSY.		9X9 = 81 POSITION	
E				angles	line fit	X *3		XX *10		XXX *050		MM		scale 1:1		dwg no	
				0° ±2'								FCJ		sheet 2 of 3		size	
				dr	D.WAUGHEN	4-0-01								55715		A4	
				enr	J.KONTOS	4-9-01											
				chr	J.KONTOS	4-9-01											
				appd	J.KONTOS	4-9-01										type	
sheet index	revision sheet																



mat'l. code		-		surface	ASME Y14.5 ✓	tolerance	ASME Y14.5	projection	⊕-∟	product family	MEG-Array	
ltr	ecn no	dr	date	tolerances unless otherwise specified				⊕-∟	title	4mm RECEPTACLE ASSY. 9X9 = 81 POSITION		
E				angles	∠	X ±3		MM				
				0° ±2'	∠	.XX ±10		scale	1:1			
				dr	D.WAUGHEN	4-0-01		FCI	dwg no	sheet 3 of 3	size	
				engr	J.KONTOS	4-9-01			55715	A4		
				chr	J.KONTOS	4-9-01			CUSTOMER Drawing			
				appd	J.KONTOS	4-9-01						
sheet index	revision sheet											